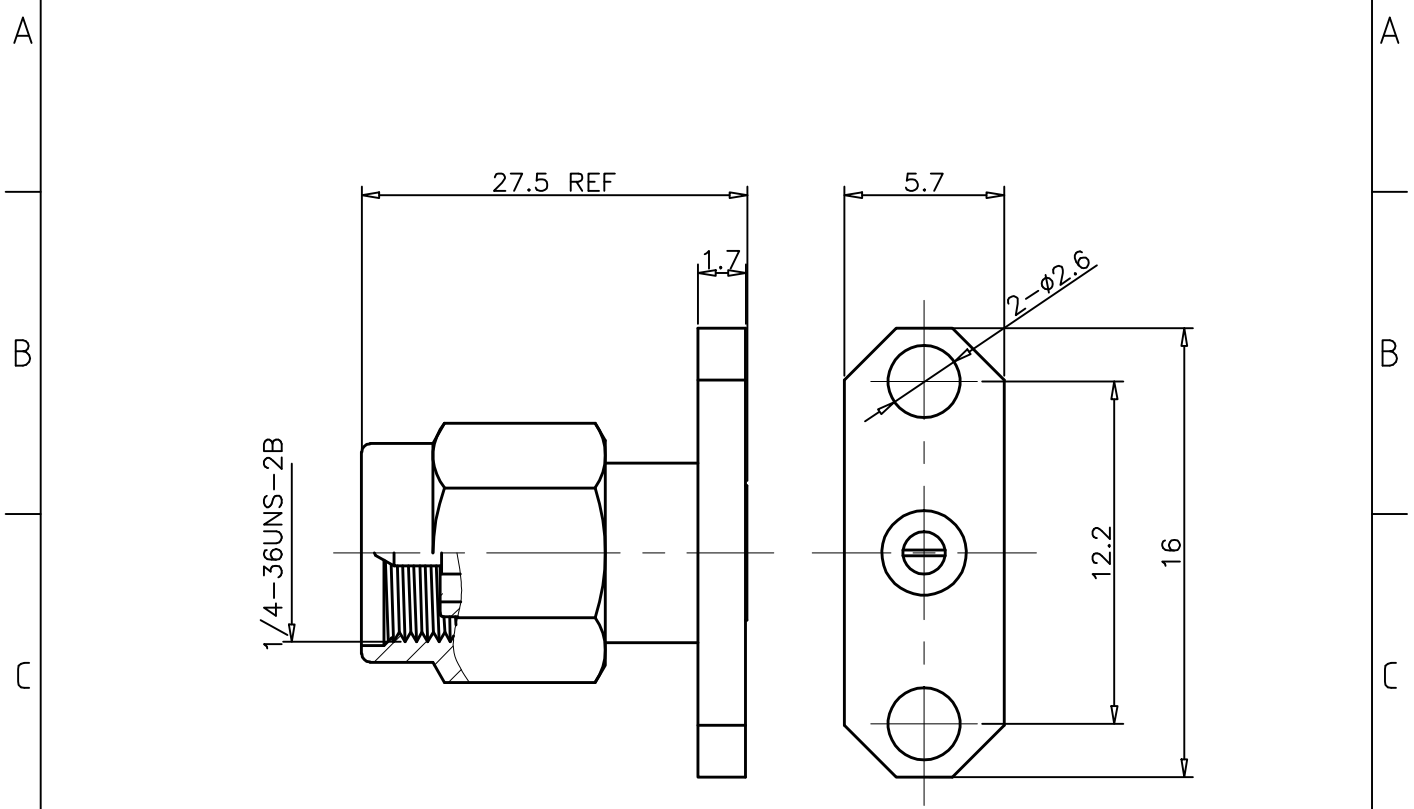


1	2	3	4	
RevNo	Revision note	Date	Signature	Checked
00	Sketch Only	5/12/14	Teresa	Simon



Interface Per: IEC-60169-23  
 Material & Finishing:  
 1. Center condutor: Brass, Gold Plating  
 2. Insulators: PEI or PEEK  
 3. Body : Brass, Gold Plating  
 4. Gasket: Silicone Rubber  
 5. Coupling Nut: Brass, Gold Plating  
 6. Snap Ring: Beryllium.

RoHS Compliant.

ALL DIMENSIONS ARE IN MILLIMETERS AND [INCHES]

KERUI ELECTRONIC CO;LTD

Title  
 3.5 male 2 holes flange mounted

THESE DRAWING & SPEC. ARE THE PROPERTY OF KERUI ELECTRONIC CO;LTD AND SHALL NOT BE REPRODUCED, OR COPIED OR USED AS THE BASIS FOR THE MANUFACTURE OR SALE OF APPARATUS OR DEVICES WITHOUT THEIR EXPRESS WRITTEN CONSENT.

Drawn by Teresa	Ckd by Simon	Appd by Richard	Date 5/12/2014
Scale 2:1	Sheet 1 of 1	18 1111 053 01	